



APPROVED
5/28/03
DC

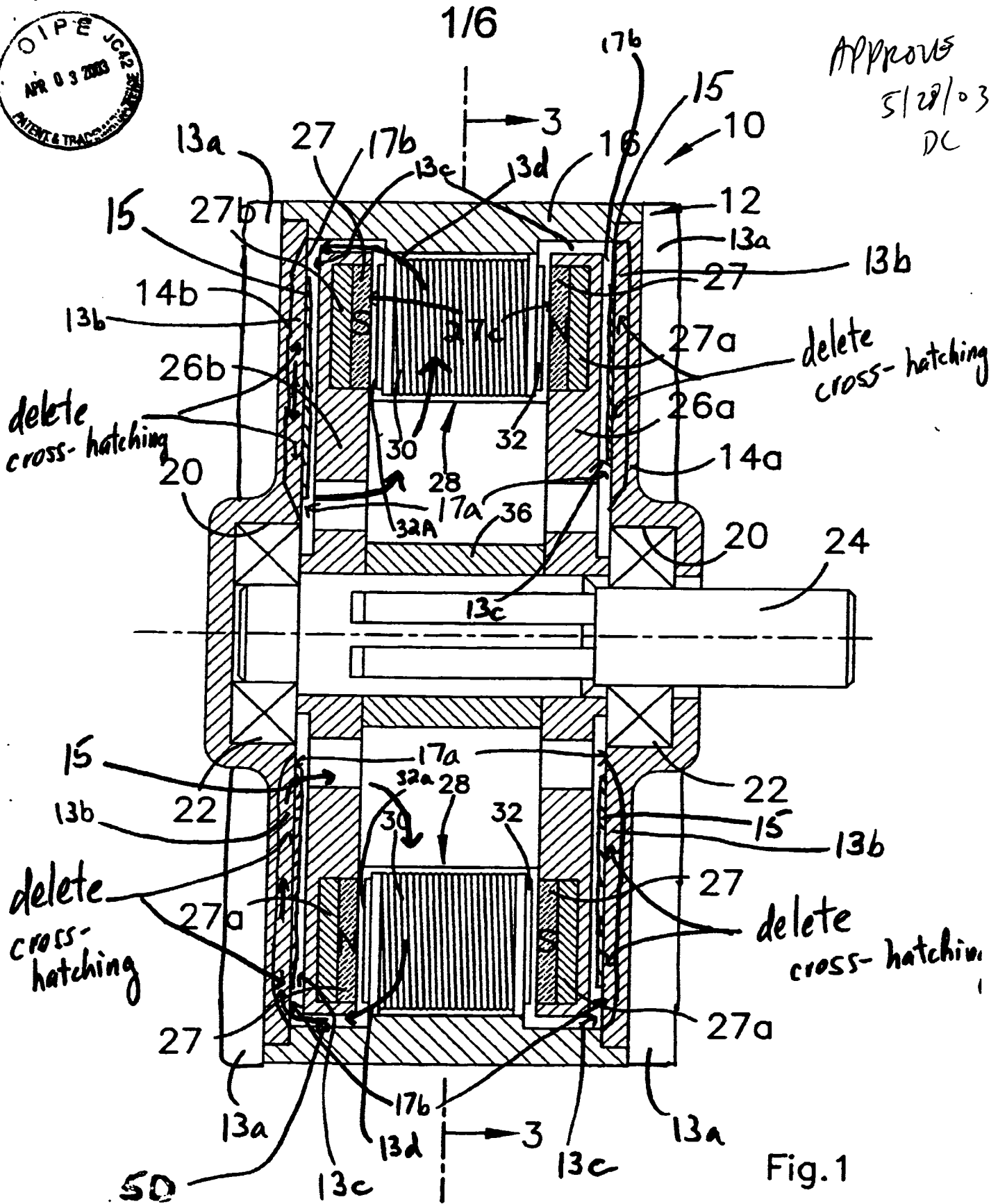


Fig. 1



APPROVE
5/28/03
DL

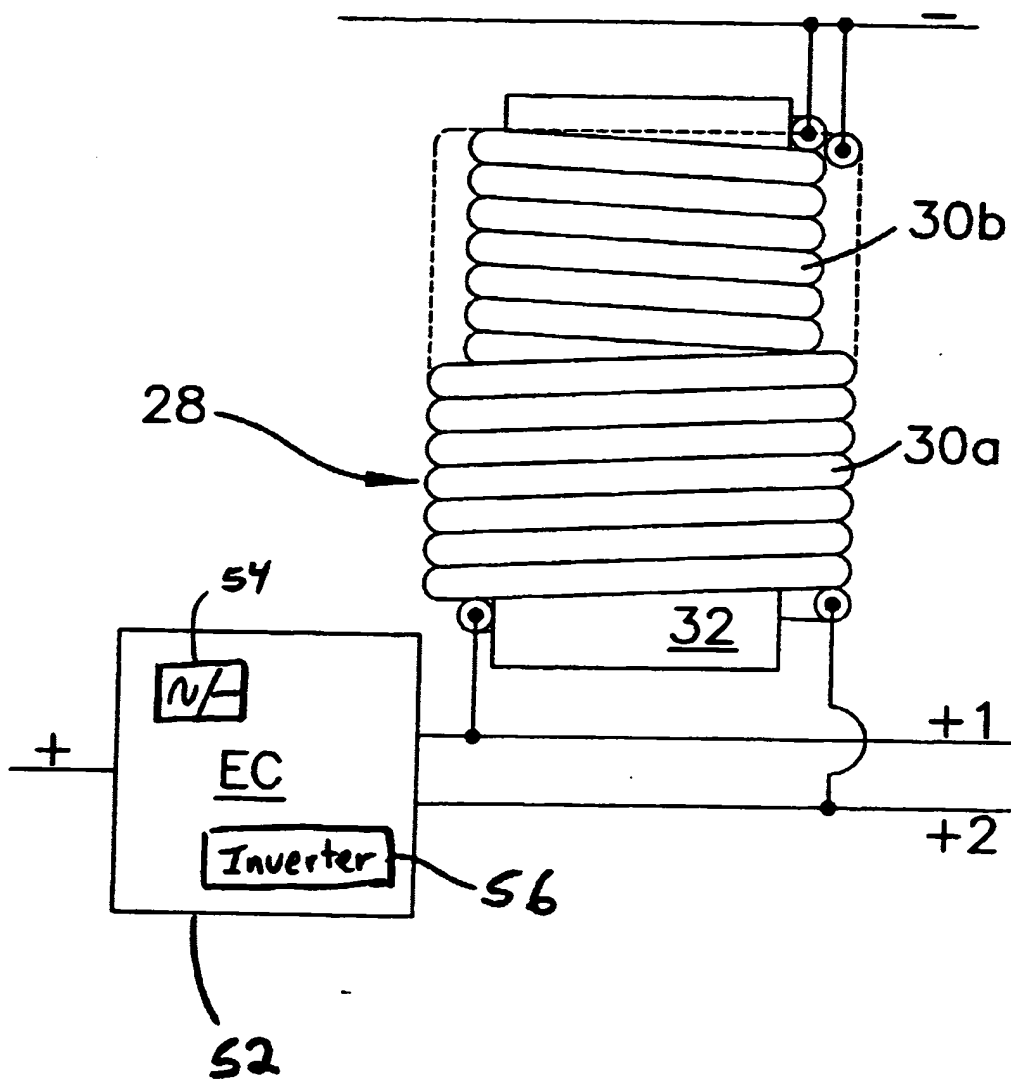


Fig.6